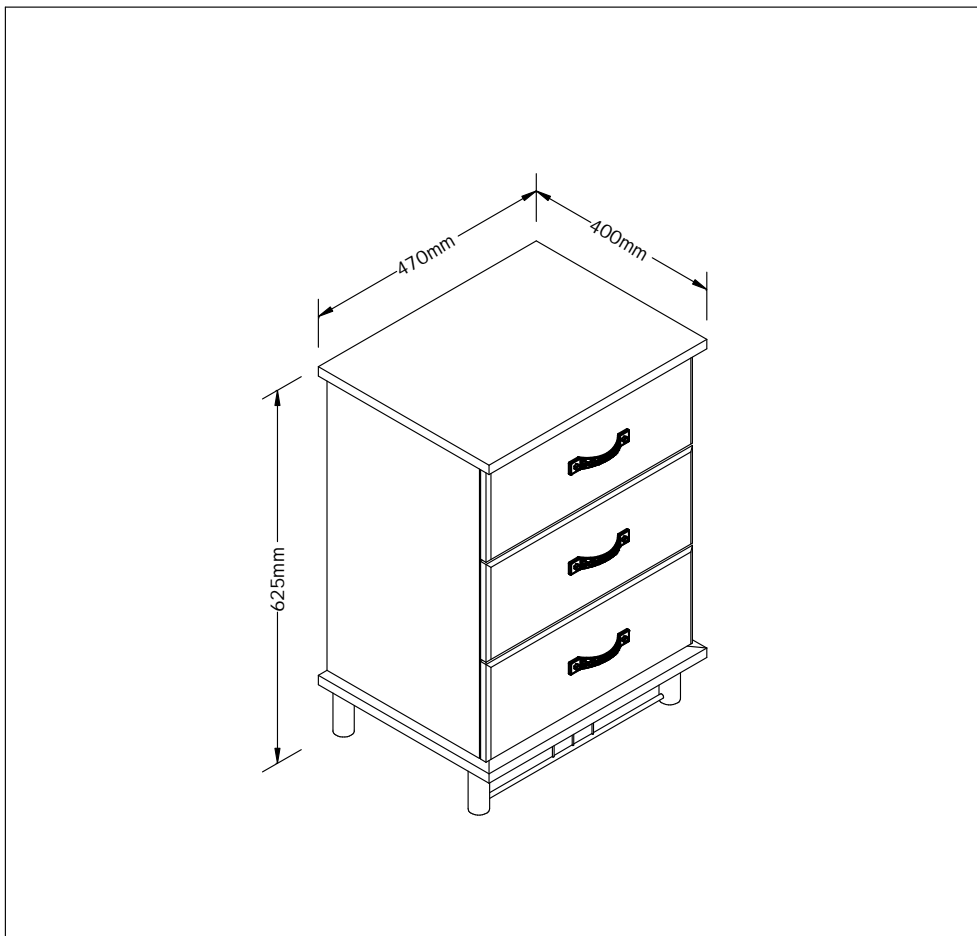


**ASSEMBLY INSTRUCTION**  
**KIRSTY 3 DRAWER BEDSIDE**  
**ITEM CODE - 53248**

*Imported by Amart Furniture Pty Ltd, Qld, Brisbane Australia.  
For any assistance with assembly or for missing parts please phone  
Amart Furniture, Customer Service Freecall 1800 351 084.*


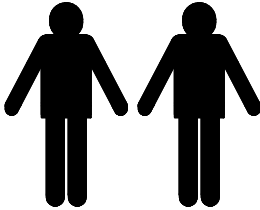



*Imported by Amart Furniture Pty Ltd, Qld, Brisbane Australia. For any assistance with  
assembly or for missing parts please phone Amart Furniture, Customer Service  
Freecall 1800 351 084.*

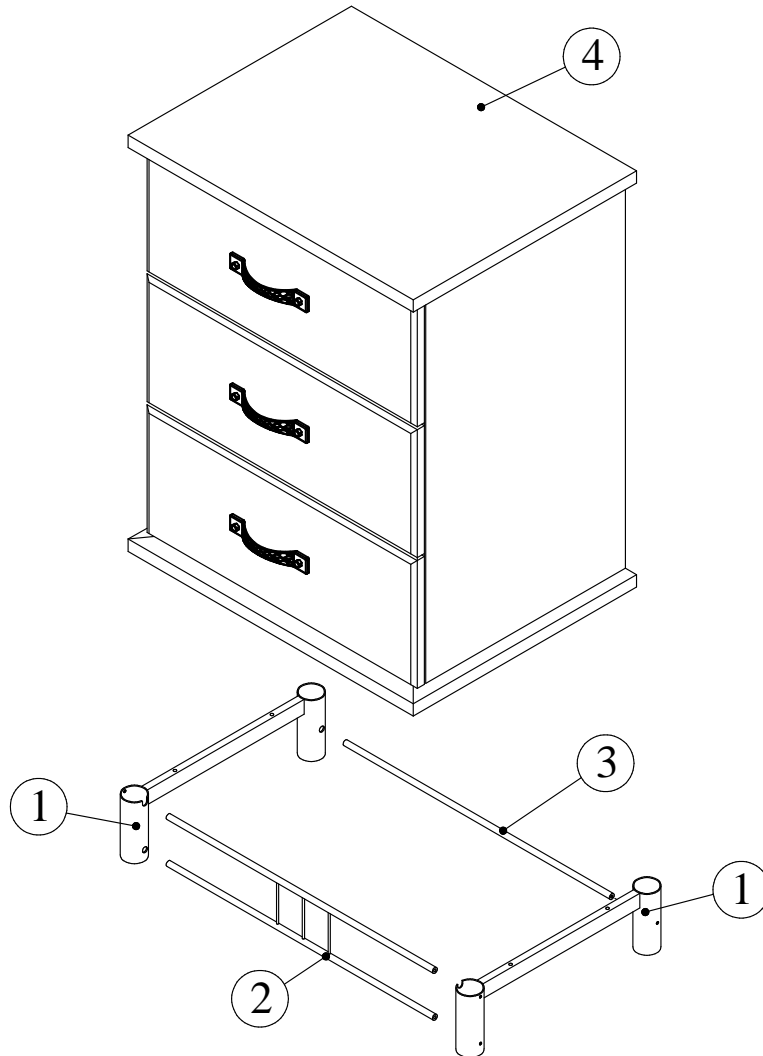
# **PRE-ASSEMBLY PREPARATION**

## **BEFORE YOU START....**

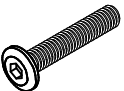

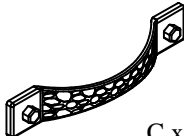


1. Choose a clean, level, spacious assembly area. Avoid hard surfaces that may damage the product.
2. Check and ensure that you have all required contents for complete assembly.
3. Always read the assembly instructions carefully before beginning assembly.
4. The packaging and contents can be a choking hazard, therefore keep out of reach of small children at all items.
5. Do not over tighten the bolts as this may damage the thread.

	
ALLOW 45 MINUTES	2 PEOPLE REQUIRED
	
ADDITIONAL TOOLS REQUIRED	

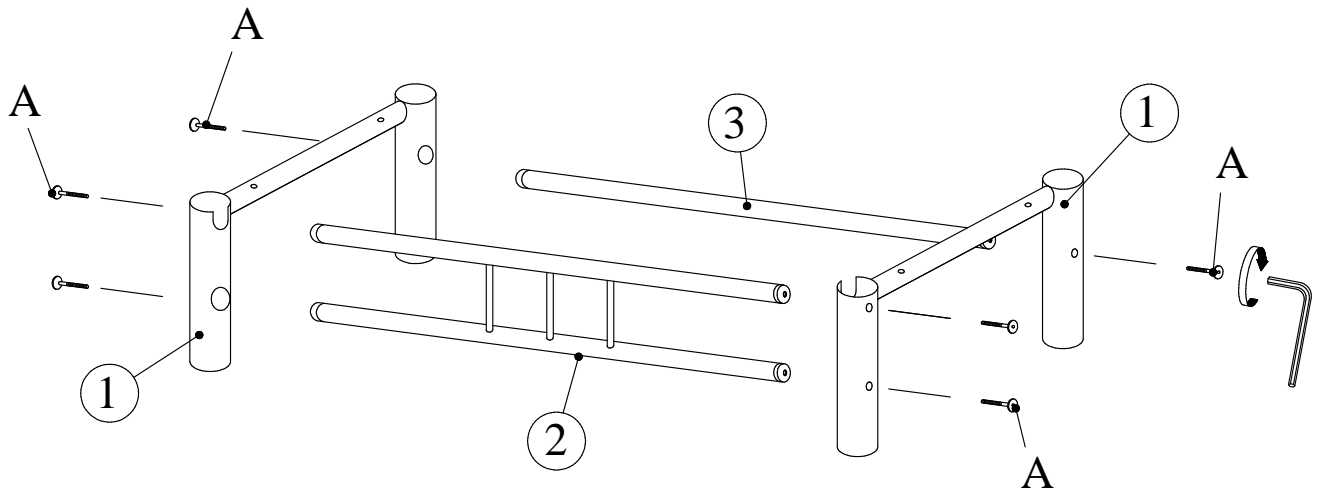
# PARTS LIST



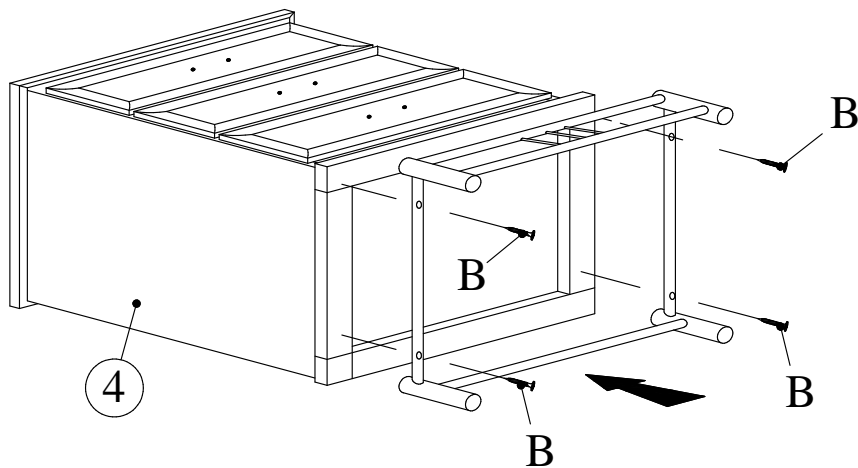
1	SIDE METAL FRAME (L/R)
2	FRONT METAL FRAME
3	BACK METAL BAR
4	STD BODY

 Bolt M6 x 30mm A x 6pcs	 Chipboard screw #4 x 50mm B x 4pcs	 Handle (HDL-H8609-128) C x 3pcs	 Handle Screw 38mm D x 6pcs	 Allen Key - M6 E x 1pc
---	---	---	--	--

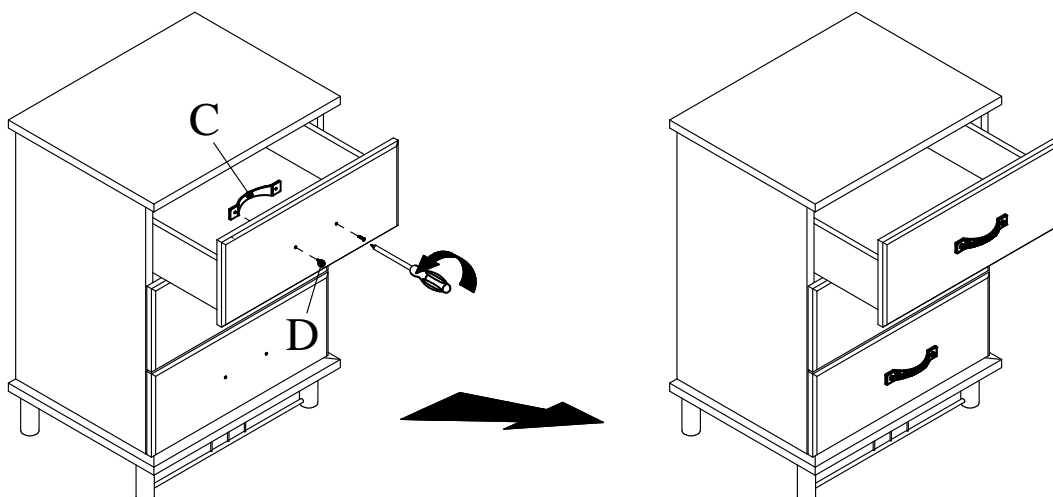
**STEP 1 :** Fix all bottom leg frame parts component with bolts (A) using Allen key (E).



**STEP 2 :** Fix bottom leg frame to the body (4) with screws (B) as shown.



**STEP 3 :** Put out handle (C) from inside drawer and fix at front of drawer as shown with screw (D).



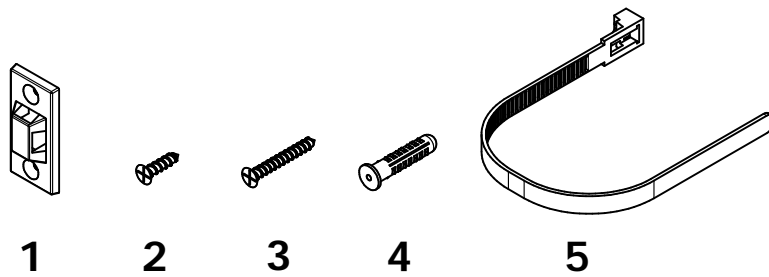
**ASSEMBLY COMPLETE**

# Restraint to avoid tipping of Bed Side

It is strongly recommended that you fit the restraint strap provided with your furniture chest to avoid accidental tipping on uneven floors or from improper use.

## Parts List

- 1. Bracket.....2 pcs
- 2. Short Screw.....2 pcs
- 3. Long Screw.....2 pcs
- 4. PLastic Anchor.....2 pcs
- 5. Strap.....1 pcs



## Installation Instruction :

### Step 1 :

Attach a Bracket (1) to the back of the furniture frame near the top using Short Screw(2).

### Step 2 :

Mark a spot on the wall approximately one inch below the level of the Bracket(1) that is installed on the furniture.

Attach a second Bracket(1) to the wall on this mark so that it lines up vertically with the Bracket(1) on the back of the furniture.

To install the Bracket(1) to the wall, first drill two 3/16" holes in the wall at the mark using the Bracket(1) as a templete for hole position.

Insert Plastic Anchors(4) into the holes in the wall.

Tap Plastic Anchors(4) lightly with a hammer until they are seated flush with the wall.

Attach Bracket(1) to the Plastic Anchors(4) using Long Screws(3).

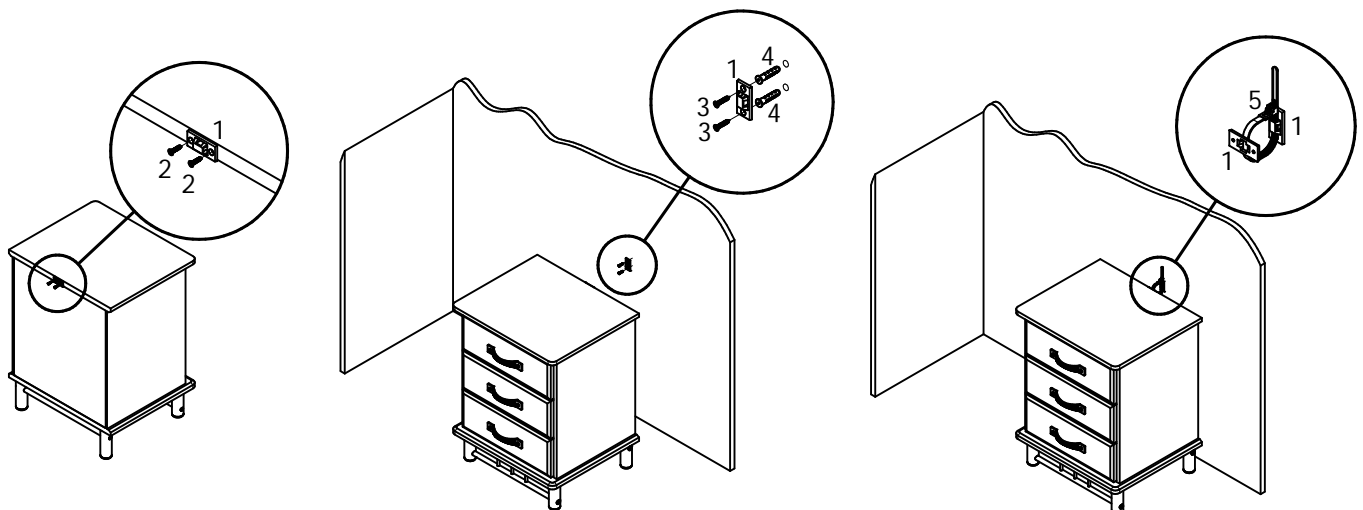
### Step 3 :

Move the furniture to its final position. Line up the Bracket(1) on the wall with the Bracket(1) that is located on the back of the furniture. Thread Strap(5) through each of the two brackets(1) as shown. Pull Strap(5) snug, but do not over tighten.

### Step 4 :

Check to make sure Bracket(1) are securely fastened to the wall and to the furniture and that the Strap(5) is locked and snug.

This complete the tipping restraint installation.



## **Product Care for Hi-Gloss Items**

Hi-gloss lacquered furniture is more sensitive to marks and scratching than some other furniture products. It is important to exercise caution and care to maximise the life and beauty of this product.

Following the below simple guidelines when using your hi-gloss product will protect your investment for years to come.

- Dust frequently with a clean damp lint-free cloth. This will help remove abrasive build up which can damage a finish over time.
- Do not place hot objects on any furniture surface. Always use a hot plate or placement. Laminate and lacquer finishes on table tops provide added scratch and heat resistance to our furniture, but they can still be damaged without proper care.
- Avoid exposing your furniture to strong sunlight, heat outlet, open windows or dampness. Prolonged exposure to direct sunlight can fade the finish of your furniture, while extreme temperature and humidity changes can cause cracking or splitting.
- Do not expose your furniture to any liquids. Never allow water to sit on your furniture. Alcohol, nail polish and perfume are also dangerous as they will dissolve the lacquer finish on contact and may require professional repairs.
- Do not allow plastic to come in direct contact with your furniture. Chemicals in the plastic of placements etc may soften and mark the finish if left in contact with the furniture for a period of time.
- Avoid placing sharp or rough objects on the surface of your furniture. These may scratch the surface of the product.
- When moving your furniture, do not drag it across the floor. This may damage the product. Instead use two (2) people to lift carefully from either end.